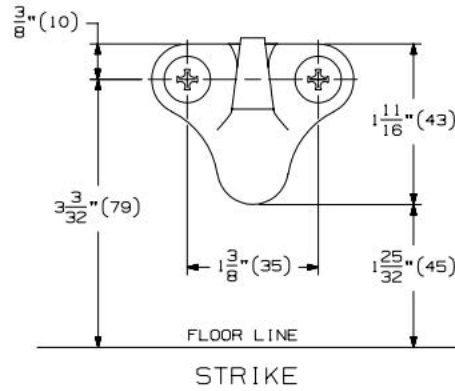
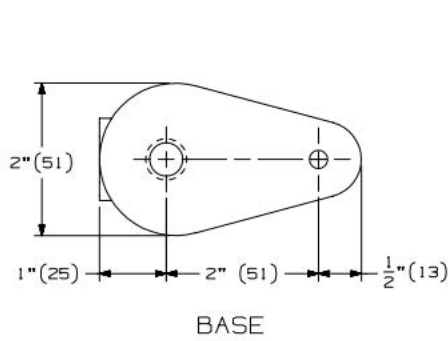
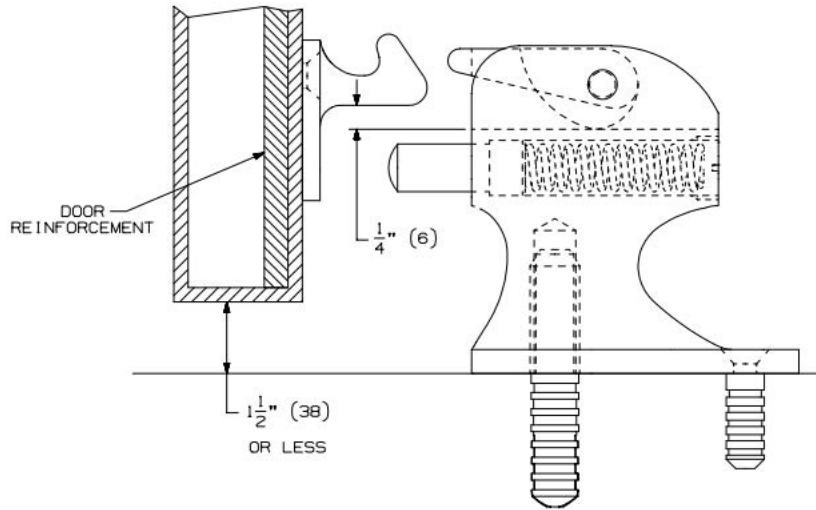




TRADEMARK HARDWARE

WORLD OF QUALITY HARDWARE



INSTRUCTIONS:

1. OPEN DOOR TO DESIRED POSITION.
2. PLACE STRIKE AND HOLDER AS ILLUSTRATED.
3. LOCATE THE MOUNTING HOLES.
4. PREPARE MOUNTING HOLES AS NECESSARY.
5. INSTALL BODY AND STRIKE.

NOTES:

1. METAL DOORS SHOULD BE PROPERLY REINFORCED WITH $\frac{3}{16}$ " (5) MINIMUM THICKNESS PLATE.

	QTY	SCREW DETAILS
BODY	1	1/2"-13 THREADED STUD
	1	LEAD EXPANSION SHIELD
	1	#14 X 1-1/2" FPHSMS
	1	PLASTIC EXPANSION SHIELD
STRIKE	2	#14 X 1-1/2" FPHSMS

