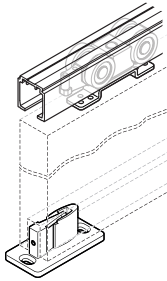







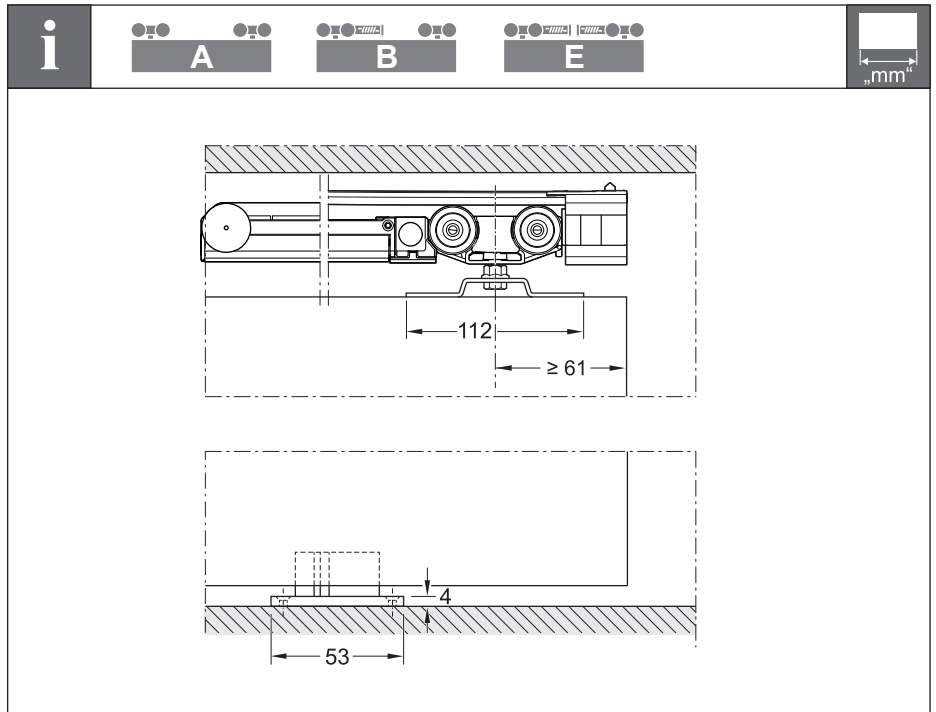
Slido D-Line 11 160P

941.62.018
941.62.022
941.62.023



732.29.793

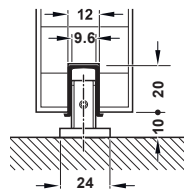
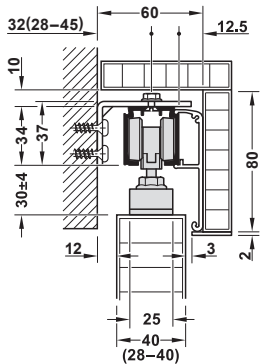
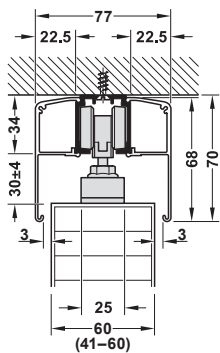
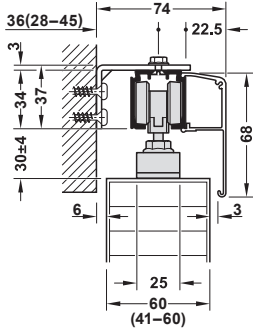
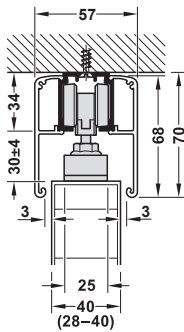
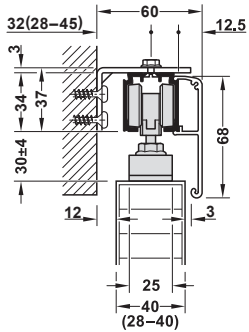
 A	 B	 E
941.62.022	941.62.023	941.62.018



[WS258]

HDE 15.05.2025

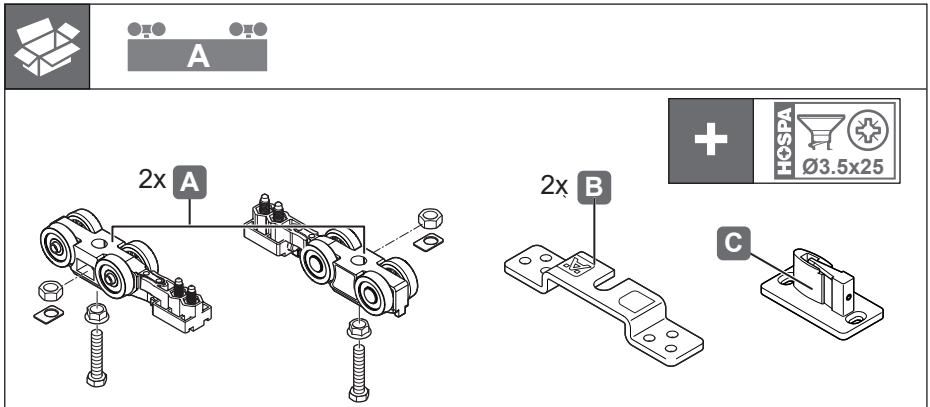
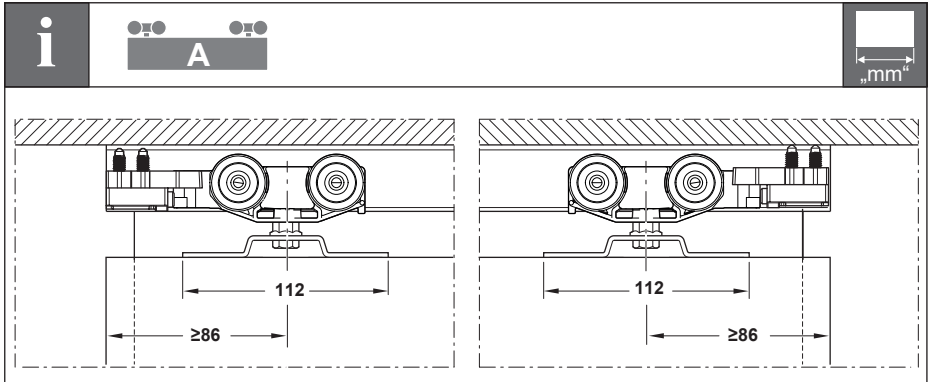
i



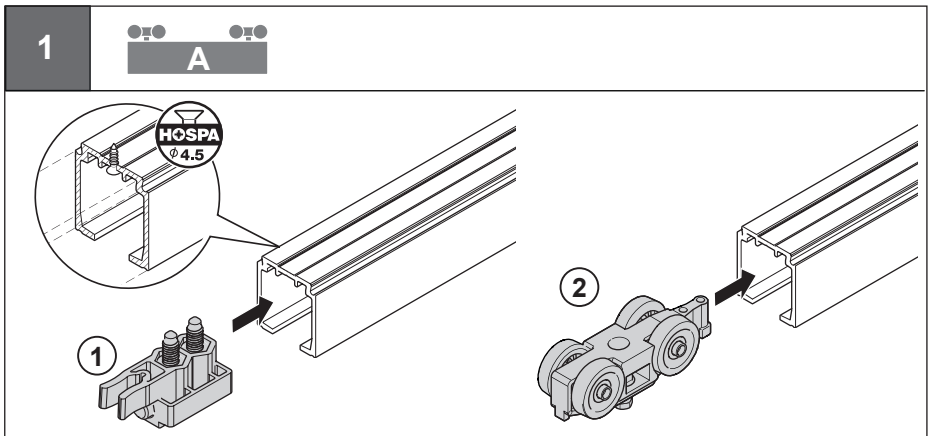
732.29.793

[WS258]

HDE 15.05.2025

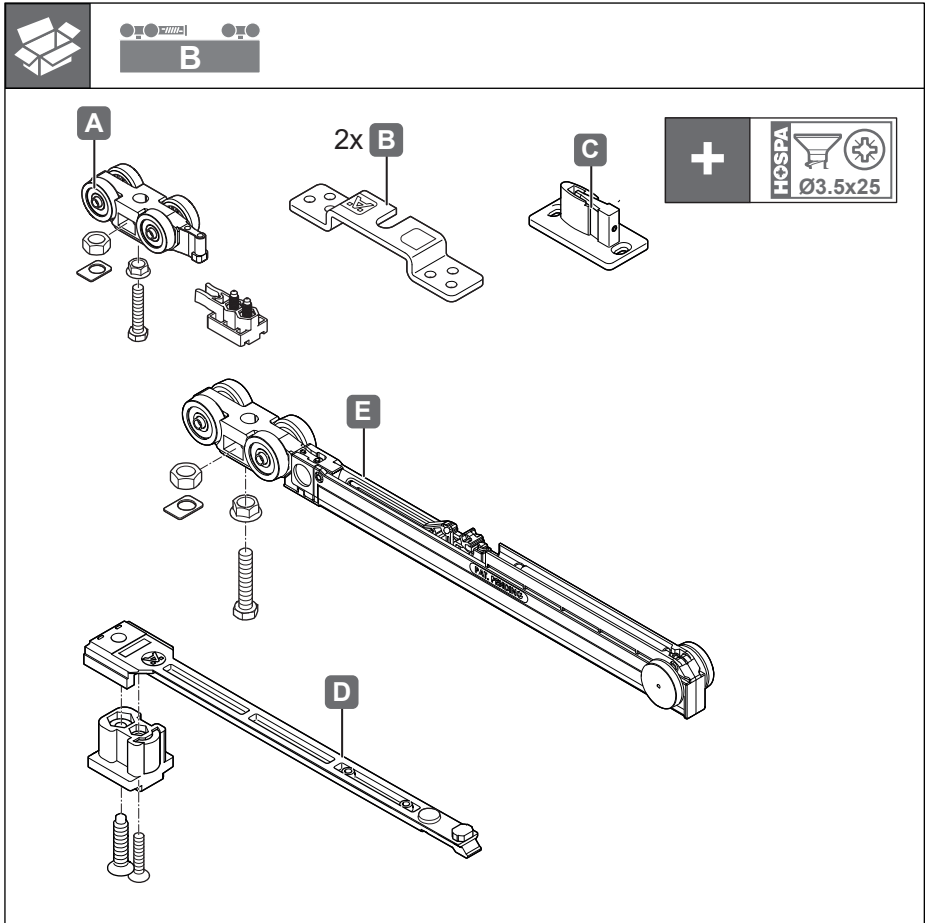
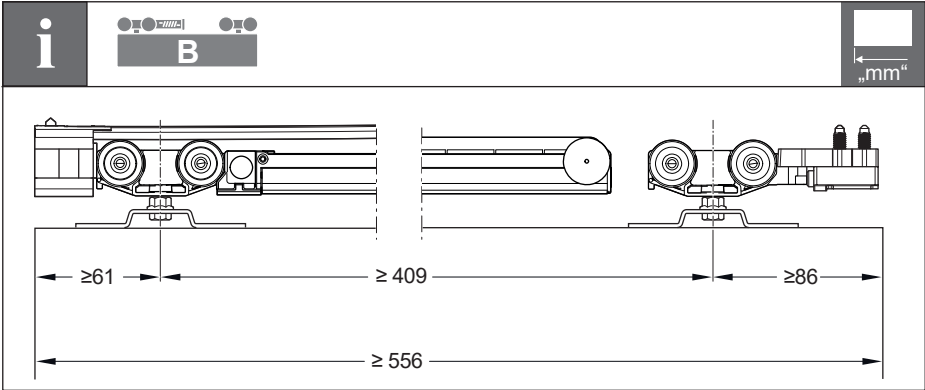


732.29.793



[WS258]

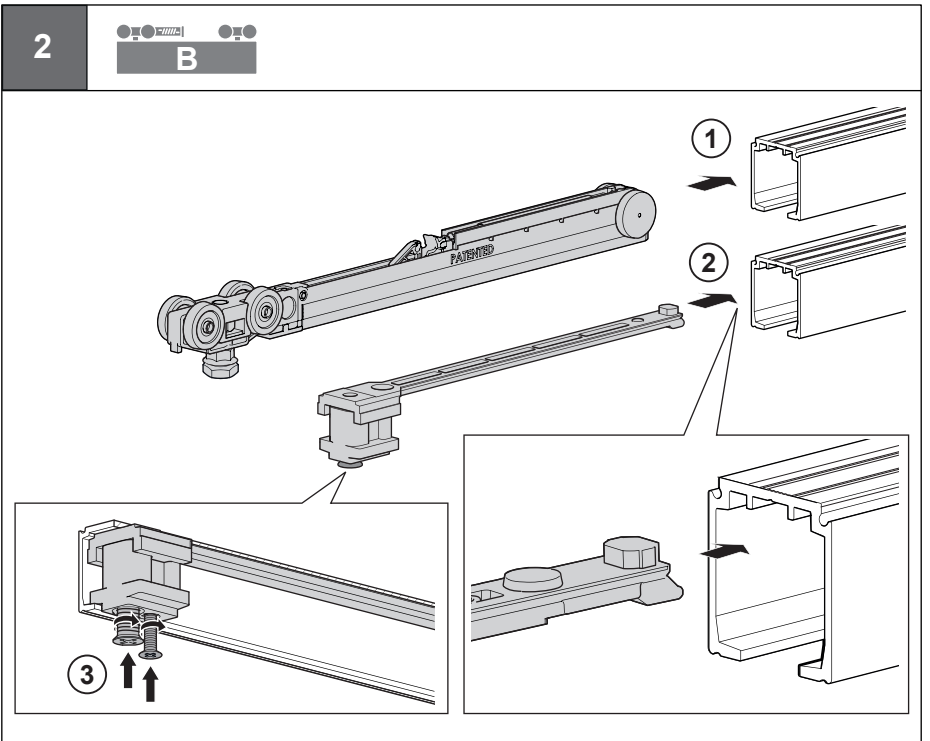
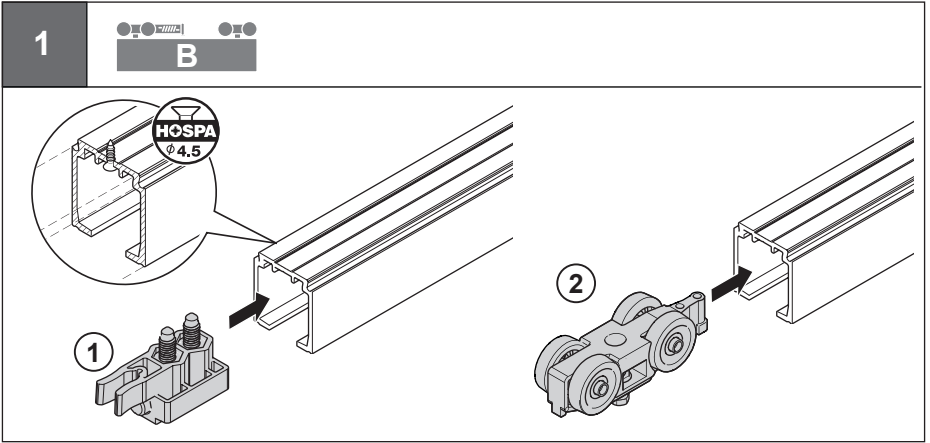
HDE 15.05.2025



732.29.793

[WS258]

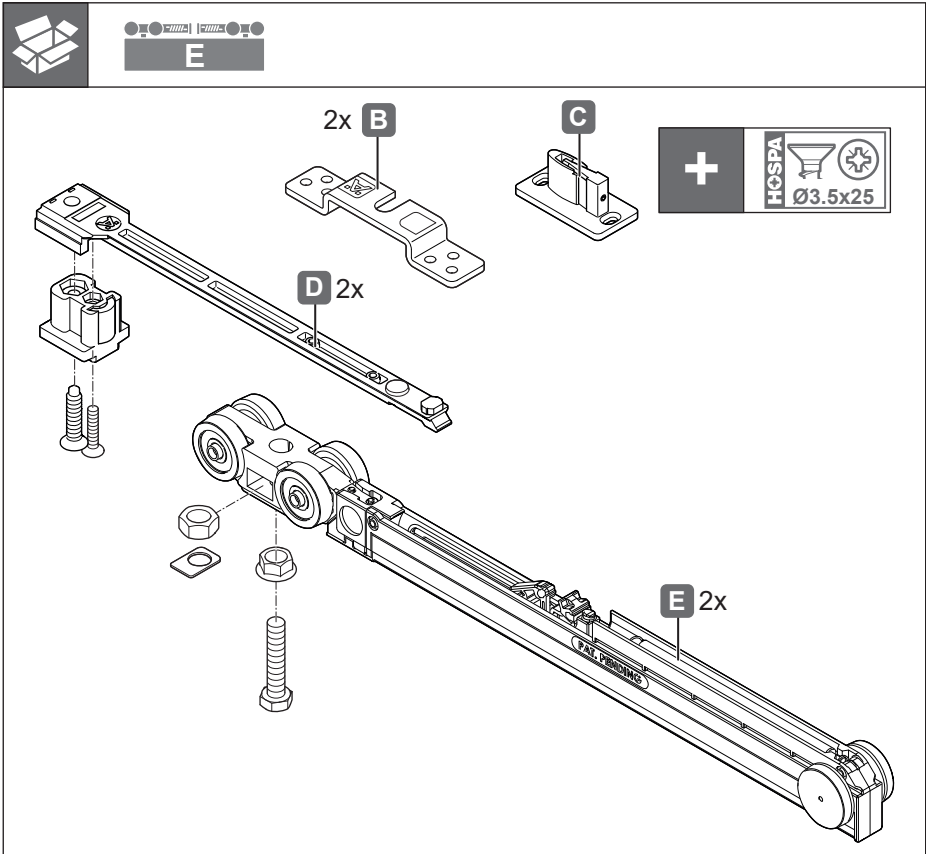
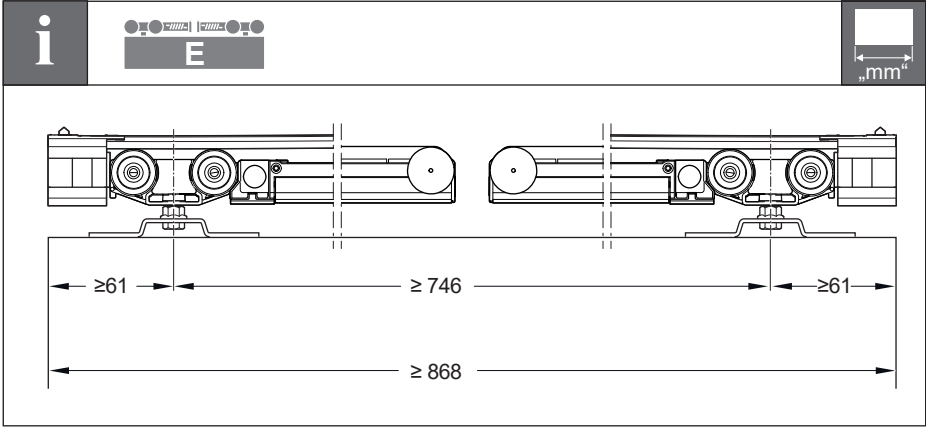
HDE 15.05.2025



732.29.793

[WS258]

HDE 15.05.2025

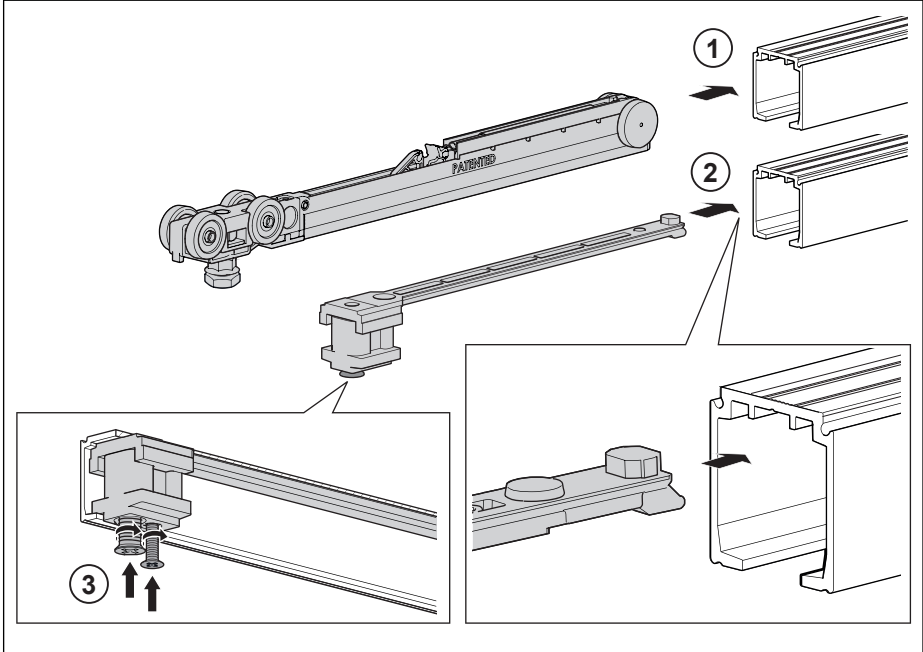


732.29.793

[WS258]

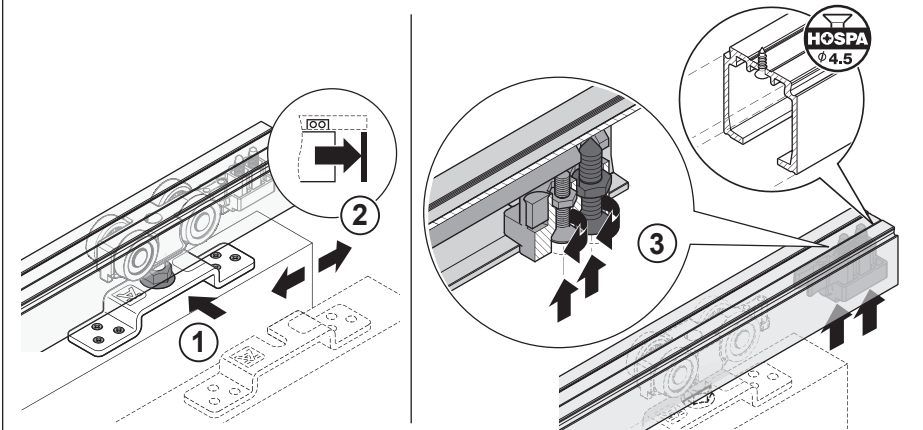
HDE 15.05.2025

1



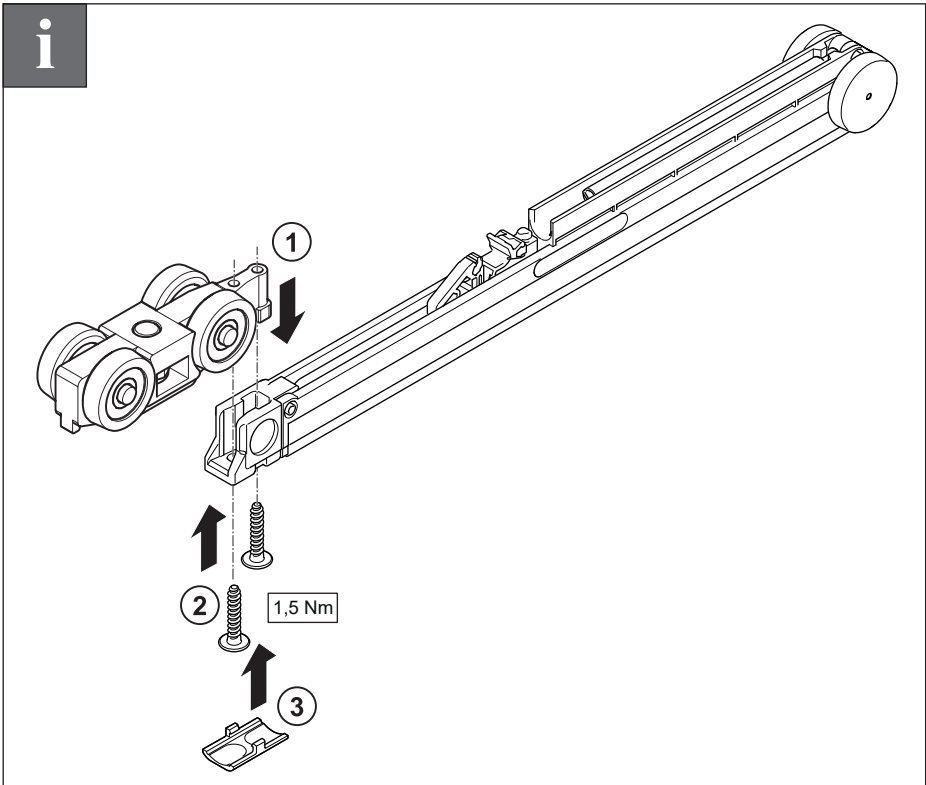
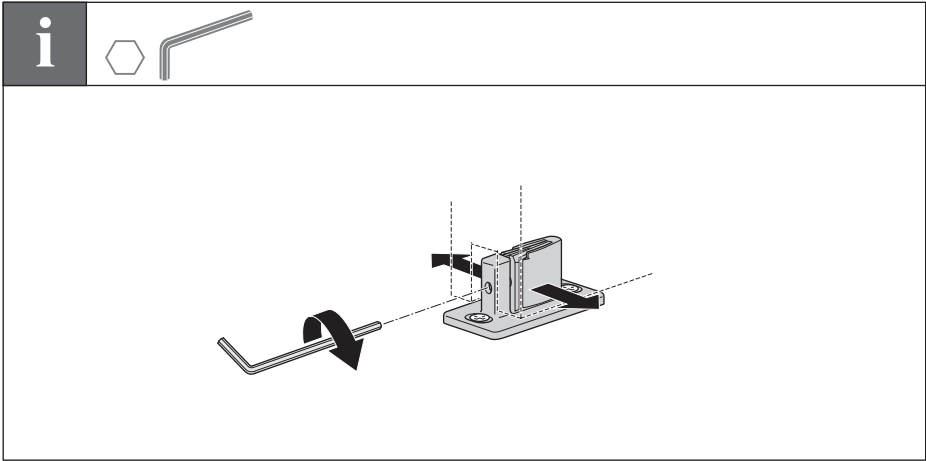
732.29.793

i



[WS258]

HDE 15.05.2025



732.29.793

HDE 15.05.2025