

NOTES:

- Left hand shown. Right hand opposite.
- Dimensions are given in inches (millimeters)
- Refer to the installation instructions for additional information.

Installation
Instructions

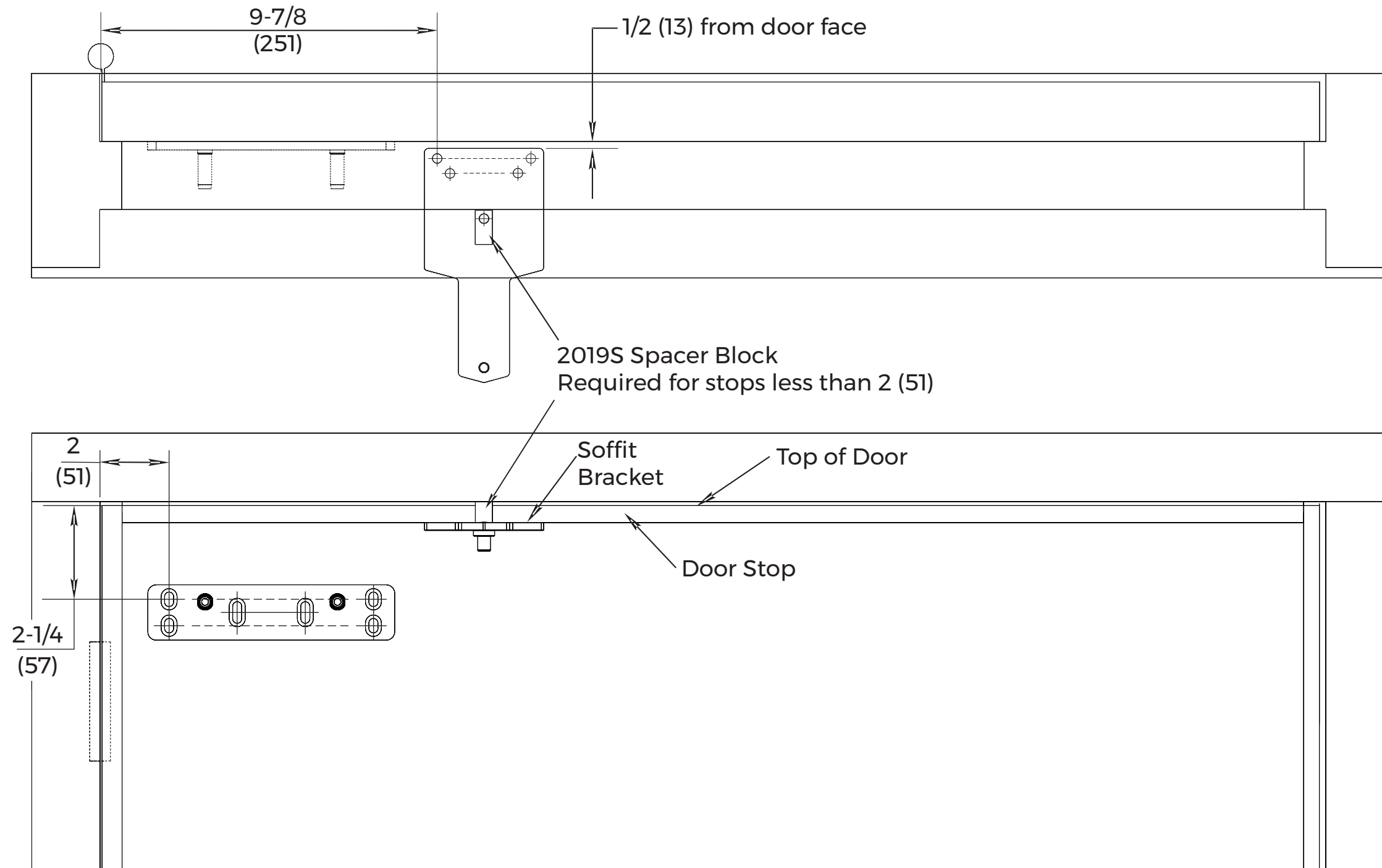


**4500 Series Operator
Model 4540 Pull Side Installation
90° Max Open Angle**

Approved 2024-09-04



TEMPLATE NUMBER	REV	DATE
80-7345-0002-020	1	09/24



NOTES:

- Left hand shown. Right hand opposite.
- Dimensions are given in inches (millimeters)
- 2019S Spacer Block required for stops less than 2 (51).
- Refer to the installation instructions for additional information.

Installation
Instructions



**4500 Series Operator
Model 4540 Push Side Installation
90° Max Open Angle**

Approved 2024-09-04



TEMPLATE NUMBER	REV	DATE
80-7345-0001-020	1	09/24